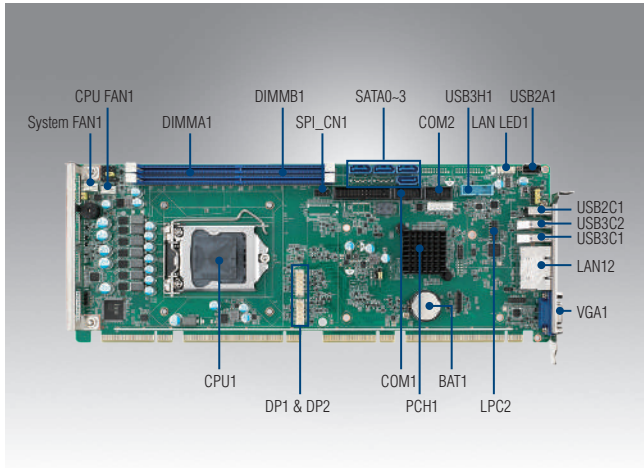


# PCE-5032

## LGA1200 10th Generation Intel® Core™ i9/i7/i5/i3/Pentium/Celeron System Host Board with DDR4, SATA 3.0, USB 3.2, Dual GbE, and Dual Displays



### Features

- Intel® Core™ i9/i7/i5/i3 LGA1200 processor with H420E chipset
  - Up to 64 GB of dual-channel (non-ECC) DDR4 2666/2933 MHz
  - PCIe 3.0, USB 3.2, and SATA 3.0 slots
  - Supports VGA and DVI-D/DP display (with optional cable)
  - Supports Advantech's LPC modules, SUSI 4.0, and embedded software APIs
- Note: Legacy platform is not supported.

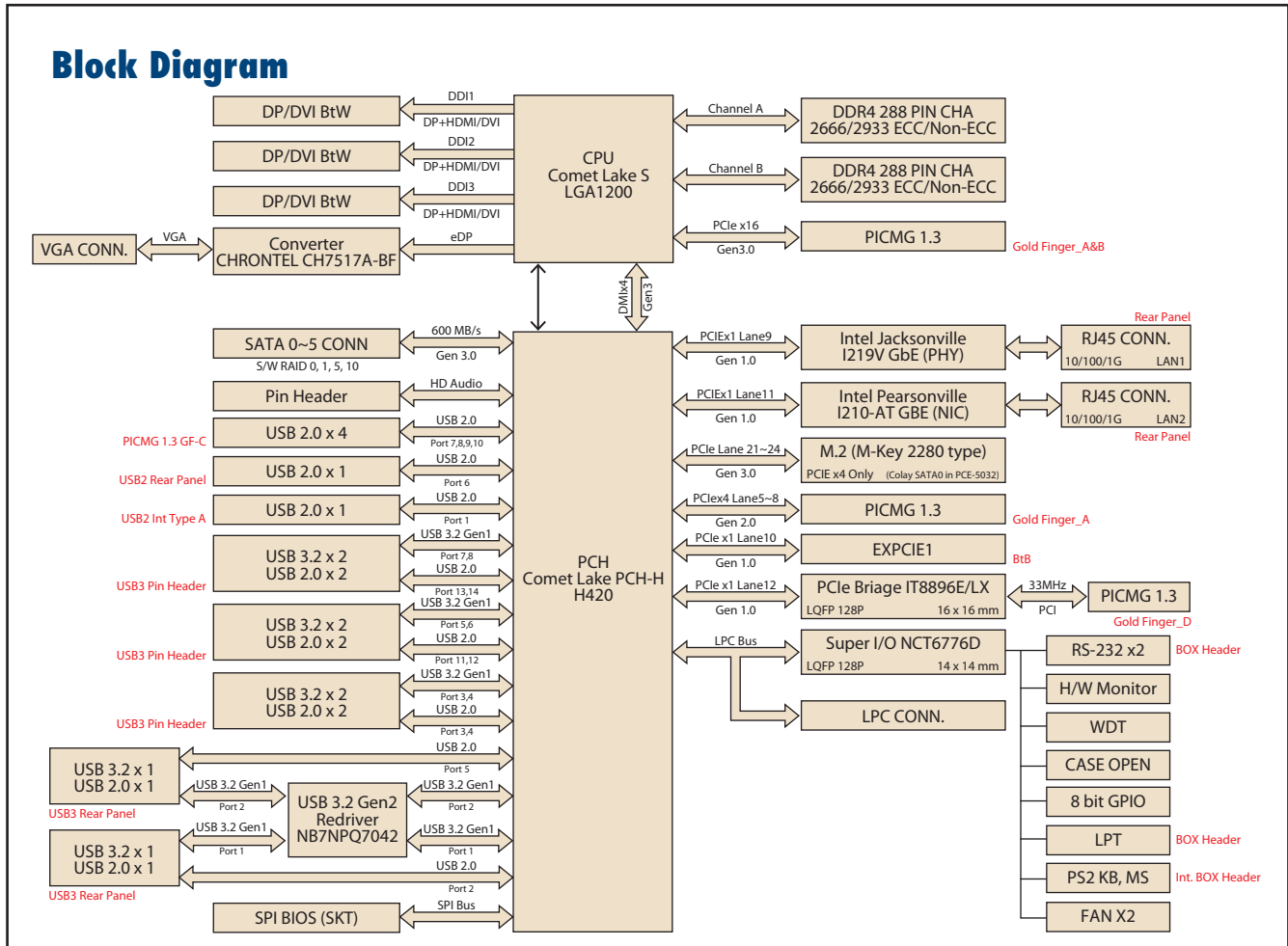
Quiet

CE FCC

### Specifications

	CPU	i9-10900K	i9-10900E	i9-10900TE	i7-10700TE	i7-10700E	i5-10500E	i5-10500E	i5-10500TE	i3-10100E	i3-10100TE	G6400E	G5900E	G5900TE	
Processor System	Speed	3.7GHz	2.80GHz	1.80GHz	2.00GHz	2.90GHz	3.10GHz	3.10GHz	2.30GHz	3.60 GHz	2.30GHz	3.80GHz	3.20GHz	3.00GHz	
	L3 Cache	20MB	20MB	20MB	16MB	16MB	12MB	12MB	12MB	6MB	6MB	4MB	2MB	2MB	
	Cores	10	10	10	8	8	6	6	6	4	4	2	2	2	
	TDP	125W	65W	35W	35W	65W	65 W	65W	35W	65W	35W	58W	58W	35W	
	Socket	LGA 1200													
	Chipset	Intel H420E													
	BIOS	AMI 128Mbit SPI Flash													
Bus	PCI-Express	1 x PCIe x16 and 1 x PCIe x4 to backplane													
	PCI	4 x PCI master to backplane, 32-bit, 33 MHz													
Memory	Technology	Dual-channel (non-ECC) U-DIMM DDR4 2666/2933 MHz													
	Max. Capacity	up to 64GB (based on CPU)													
	Socket	2 x DDR4 288-pin DIMM													
Graphics	Controller	Chipset integrated with Intel® HD Graphics													
	VRAM	Shared system memory is subject to OS													
	VGA	Supports resolutions of up to 2048 x 1152 @ 60MHz													
	DVI-D	Supports resolutions of up to 1920 x 1200 @ 60MHz													
	Display Port	Supports resolutions of up to 4096 x 2160 @ 60MHz													
Ethernet	Dual Display	CRT+DP/CRT+DVI													
	Interface	10/100/1000 Mbps													
	Controller	LAN 1: Intel® I219-V LAN 2: Intel® I210-AT													
Rear I/O	Connector with LED	RJ45 x 2													
	USB 3.2 (Gen1)	2													
	USB 2.0	1													
	Ethernet	2													
	VGA	1													
Internal Connector	USB	5 x USB 2.0 ( 1 USB Type A + 4 on backplane), 2 x USB 3.2													
	SATA	4													
	DP/DVI-D	1 (Pin header)													
	COM	2													
	GPIO	8 bits													
Watchdog Timer	Output	System reset													
	Interval	Programmable 1-255 sec													
Miscellaneous	Audio	Intel® High Definition audio interface (requires audio extension module PCA-AUDIO-HDB1E)													
Power Requirement	Test Environment	Intel Core i CPU, Memory 2* DDR4 2666U 32GB													
	Voltage	+3.3V, 5V, 12V													
	Current	1.67A, 6.34A, 9.76A													
Environment	Operating	Non-operating													
	Temperature	0 - 60 °C (dependent on CPU and cooler solution) -40 - 85 °C													
	Humidity	40 °C @ 85% relative humidity (non-condensing) 60 °C @ 95% relative humidity (non-condensing)													
Physical	Dimensions (L x H)	338 x 122 mm (13.3" x 4.8")													

## Block Diagram



## Ordering Information

Part Number	Chipset	Memory	Backplane	Display	USB 3.2	USB 2.0	COM	GbE LAN	AMT	SATA	SW RAID	Intelligent System Module Support
PCE-5032G2-00A3	H420E	Non-ECC	PCE-5BXX	VGA + DVI/DP*	4	6	2	2	No	4	No	Yes

Note: DP/DVI-D cable is optional

## Packing List

Part Number	Description	Quantity
1700003194	Serial ATA HDD data cable	x2
1701090401	1-port COM cable kit	x1
2190000902	Warranty card	x1
2041513201	Startup manual	x1

## I/O View



PCE-5032G2-00A3

## Optional Accessories

Part Number	Description
1960049408N001	CPU heat sink for 1U Chassis and 35W TDP
1960050255N001	CPU cooler for 2U Chassis and 95W TDP
1960052651N021	CPU cooler for 2U/4U Chassis and 80W TDP
1960067860N001	CPU cooler for 2U/4U Chassis and 125W TDP
1700002204	2-port USB 2.0 cable kit
1700028292-01	2-port USB 3.0 cable w/ BKT (30 cm)
1701090401	1-port COM cable kit
1701092300	2-port COM cable kit
PCE-DP10-00A1E	DP to DP cable kit
1700021831-01	DP to DVI-D cable kit
PCA-TPM-00B1E	TPM 2.0 module
PCA-AUDIO-HDB1E	Audio module
PCA-COM232-00A1E	4-port RS-232 module via LPC interface
PCA-COM485-00A1E	4-port RS-422/485 module via LPC interface
PCE-SA01-00A1E	I/O extension kit (DP, USB, Audio, mini PCIe)
20706WX9HS0099	PCE-5032 win 10 embedded OS (high-end)
20706WX9VS0103	PCE-5032 win 10 embedded OS (value)
20706WX9ES0113	PCE-5032 win 10 embedded OS (entry)

\* for PCE-7132/5132/5032, PCE-SA01-00A1E miniPCIe only support PCIe x1 signal